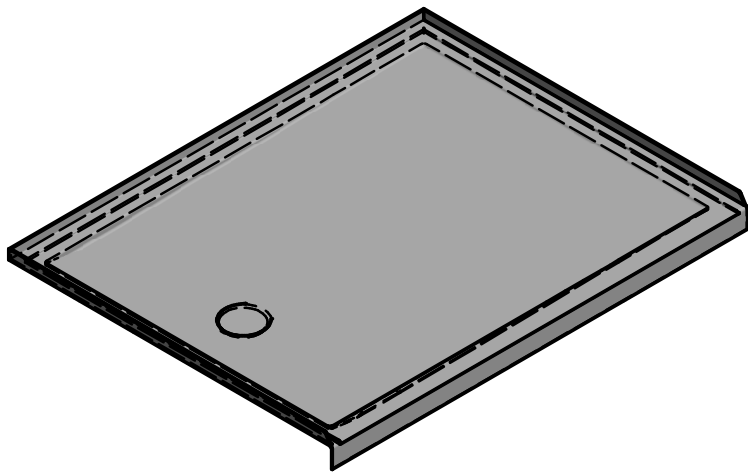


ACCESSIBLE RECEPTOR

Model Customer Spec ACR20445L/R

ACRYLIC



Model ACR20445L

Model ACR20445L/R

Length: 54" (1372mm)
Width: 42" (1067mm)
Overall Height: 3 1/8" (79mm)
Threshold Height: 2" (51mm)

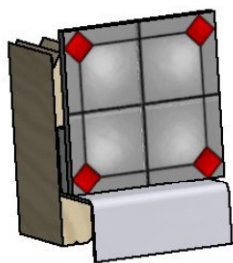
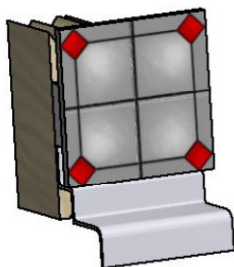
Shipping Weight: 70.9lbs (32Kg)

Materials: Manufactured from a one-piece acrylic sheet, reinforced with fibreglass.

Hytec manufactures acrylic receptors to satisfy every bathroom design or decorating need. Raised tiling flanges allow for professional installation and finishing.

Double Flange - Standard

Single Flange (SF) - Option



Standard Features:

- Easy to clean high gloss surface
- Chip and mar resistant
- Moulded-in floor pattern
- Raised tile ledge
- Wide threshold

Colours:

Standard: White, Almond (Bone)
or Biscuit
Optional: Kohler Colours

Options:

Single flange (SF)

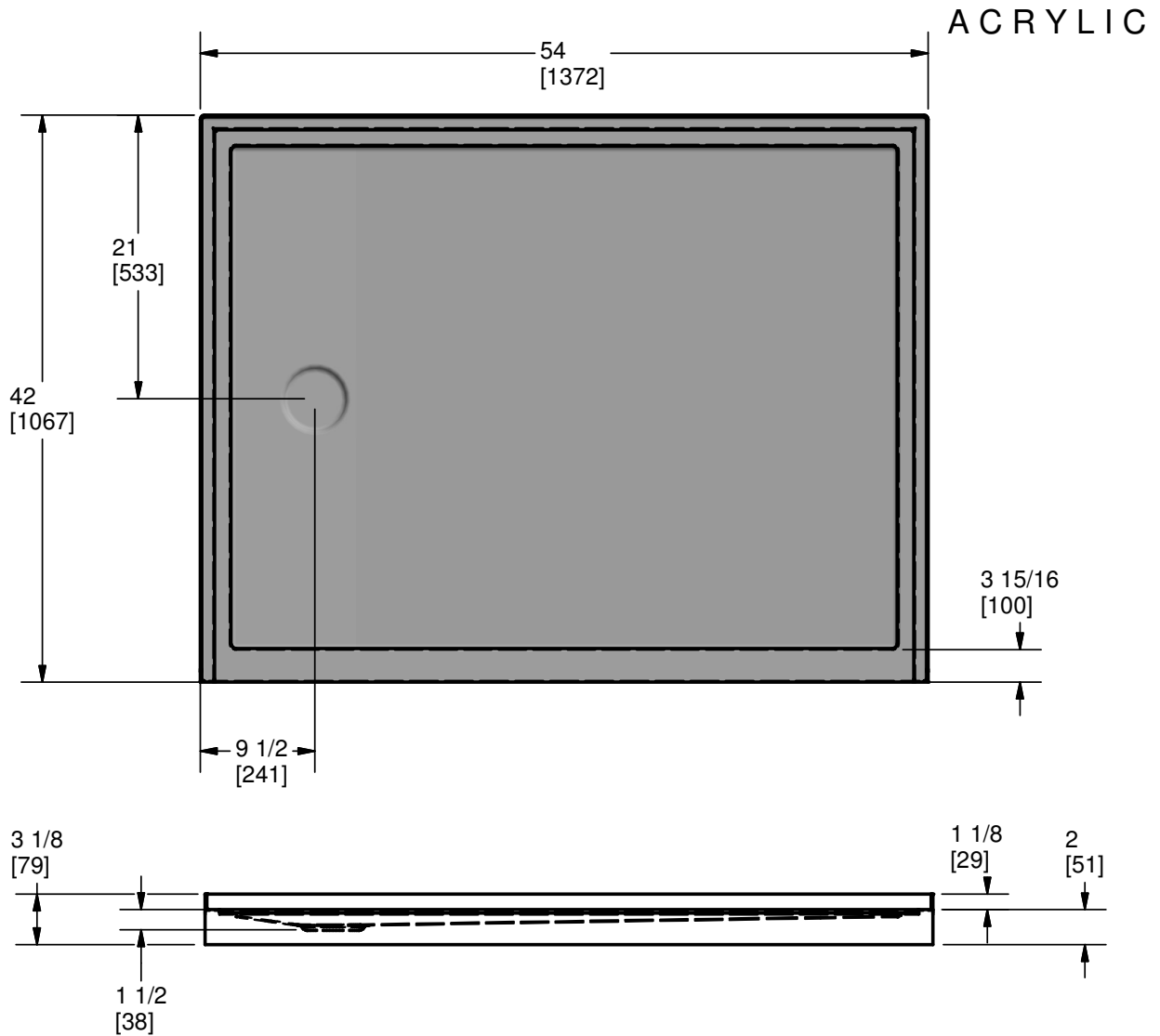
All products manufactured by Hytec are covered by a comprehensive five-year limited warranty from the date of sale to the original owner. See the Hytec Bathing Fixtures List Price Book for further details.

Hytec Plumbing Products

(Division of Kohler Canada Co.)
4150 Spallumcheen Dr, Armstrong BC V0E 1B6
Ph. (800) 871-8311 (250) 546-3196 Fax (250)
546-3170



ACCESSIBLE RECEPTOR
Model Customer Spec ACR20445L/R



Measurement tolerances $\pm 1/4"$ (6.3mm)

All bathing fixtures comply with the applicable Canadian Standards.

EPA TSCA Title VI Compliant Product.

For installation instructions, please visit HYTEC.CA

This sheet approximately describes products and equipment manufactured or supplied by Hytec Plumbing Products. Because of ongoing efforts to improve both design and quality, products and equipment actually furnished may differ without prior notice.